

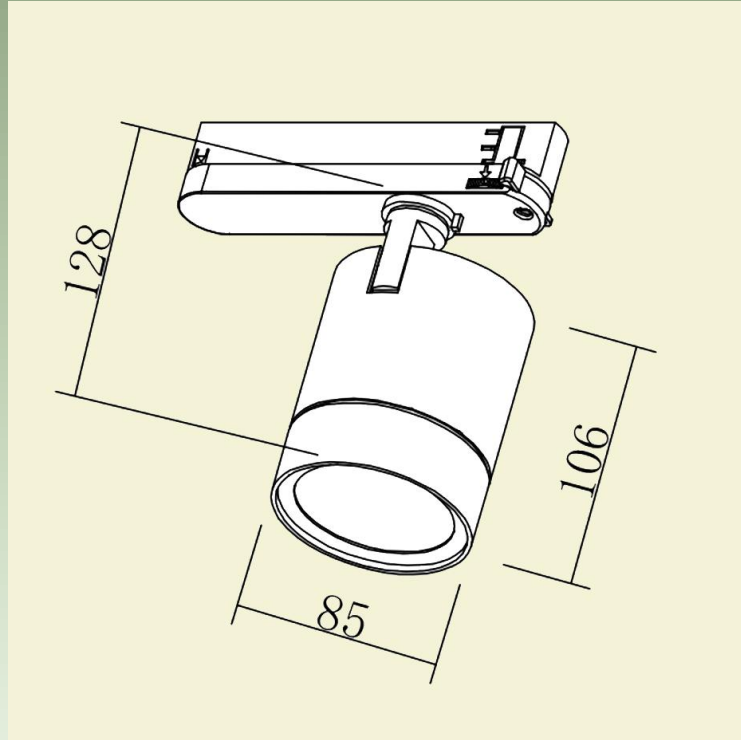
koberg



Indoor Lighting

Specs & more

Tracklight strong



Specifications

Consumption	30w (10 to 30) watt
Size	128 x 85 mm
Color	Black or white
Fixing type	GA (C) 69 (3-phase)

PPF	99 μmol
Lens Angle	15-24-25°
DALI Compatible	Optional
Water resistant	No

Tracklight strong mounting parts

Surface mounted rail



This rail can be attached to the ceiling or hung on chains

Recessed rail

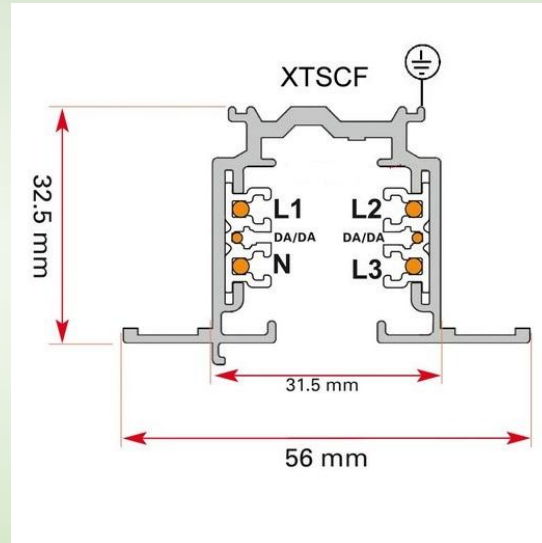
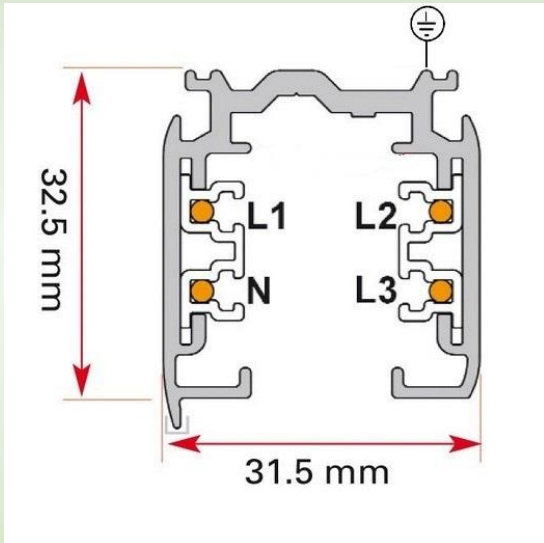


This rail can be built into the ceiling

Mono point



This is a single point for one fixture

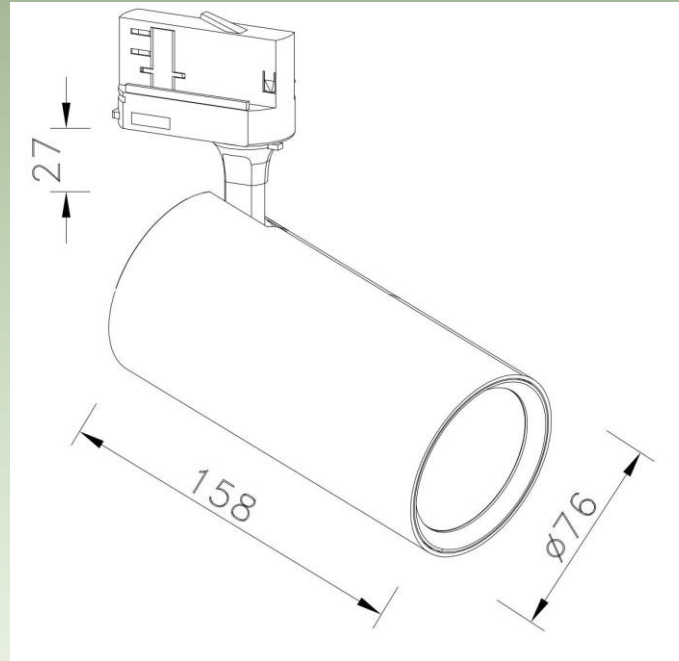


29 cm rail
incl. power supply

Tracklight strong



Spotlight



Specifications

Consumption	20w (10 to 30 watt)
Size	158/185 x 75 mm (with/without ring)
Color	Black or white
Bevestiging	- GA (C) 69 (3-phase) - Foot - Recessed

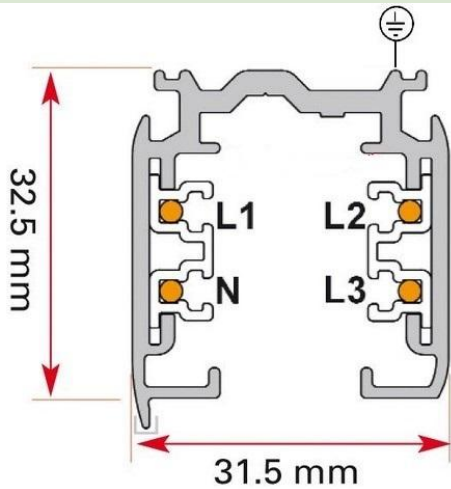
PPF	90 μ mol
Lens angle	24° - 120°
DALI Compatible	Optional
Water resistant	No

Tracklight mounting parts

Surface mounted rail



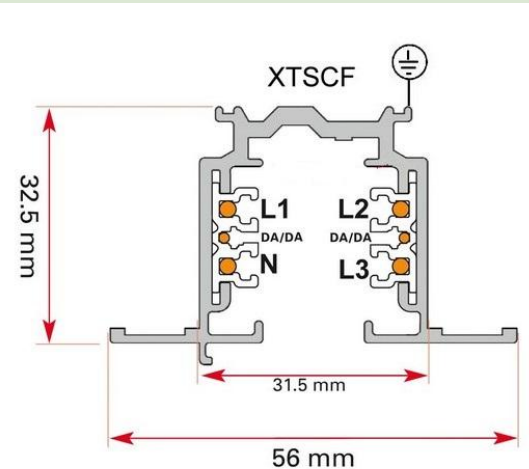
This rail can be attached to the ceiling or hung on chains



Recessed rail



This rail can be built into the ceiling



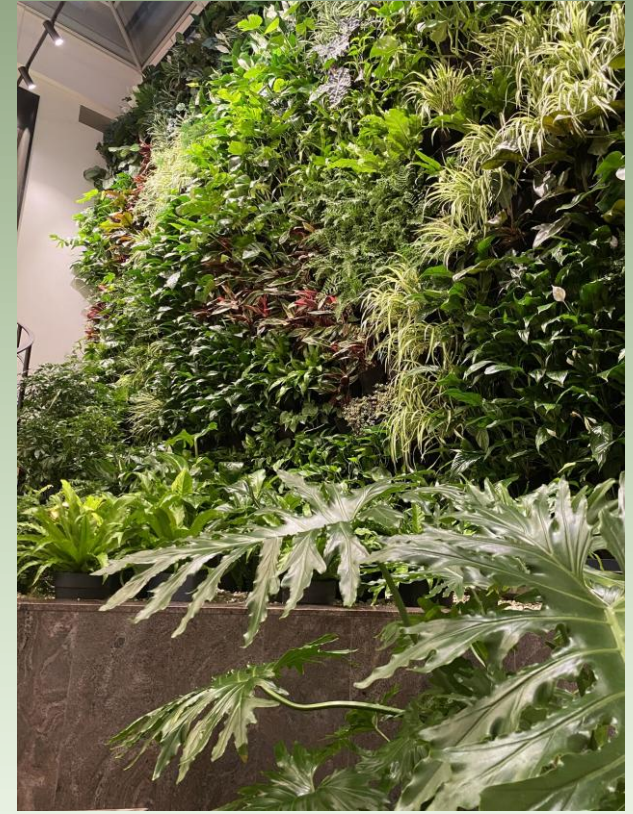
Mono point



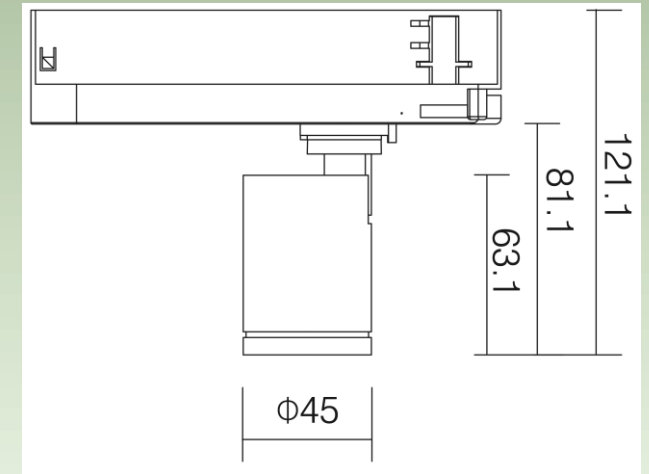
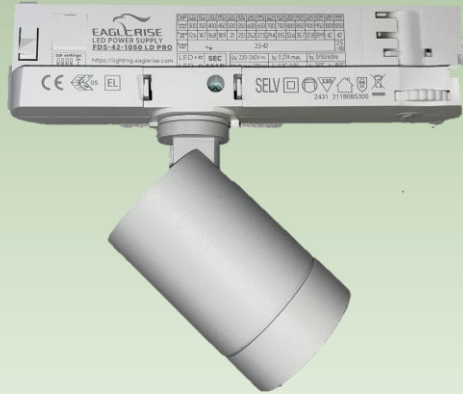
This is a single point for one fixture

Ø 100 mm, height 32 mm

Tracklight



Spotlight extra small



Specifications

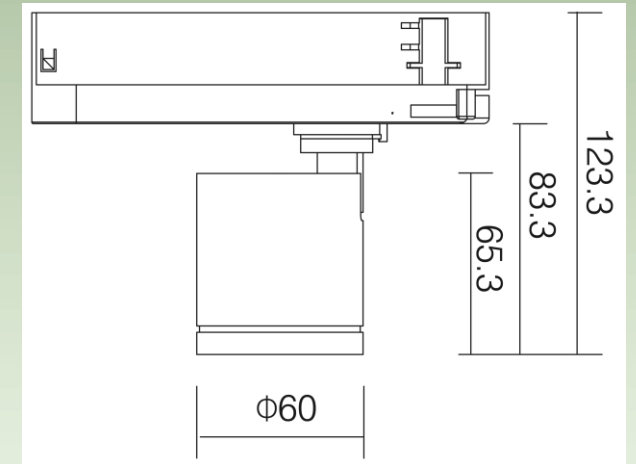
Consumption	8w (6 tot 10 watt)
Size	63,1 x 45 mm
Color	Black or white
Fixing type	- GA (C) 69 (3-phase) - Opbouw voet - Inbouw

PPF	18 μ mol
Lens Angle	60°
DALI Compatible	Optional
Water resistant	No

Spot extra small



Spotlight small



Specifications

Consumption	8w (6 tot 10 watt)
Size	65,3 x 60 mm
Color	Black or white
Fixing type	- GA (C) 69 (3-phase) - Opbouw voet - Inbouw

PPF	18 μmol
Lens Angle	60°
DALI Compatible	Optional
Water resistant	No

Pendant



Specifications

Consumption	20w (10 tot 30 watt)
Size	153 x 89 mm
Color	Black or white
Fixing type	Ceiling mount or GA69

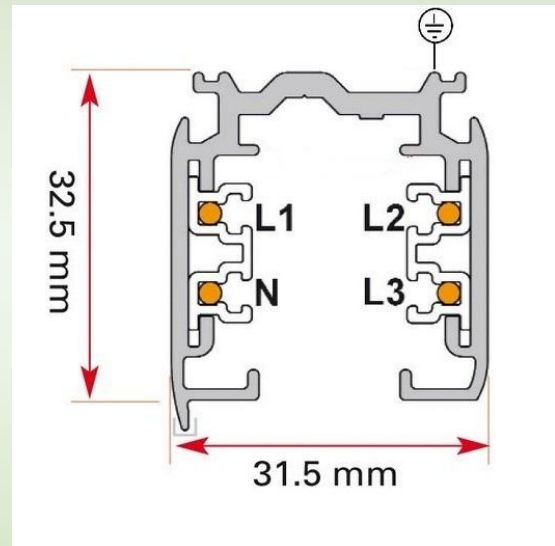
PPF	66 μ mol
Lens Angle	18-60°
DALI Compatible	Optional
Water resistant	No

Pendant fixing

Surface mounted rail



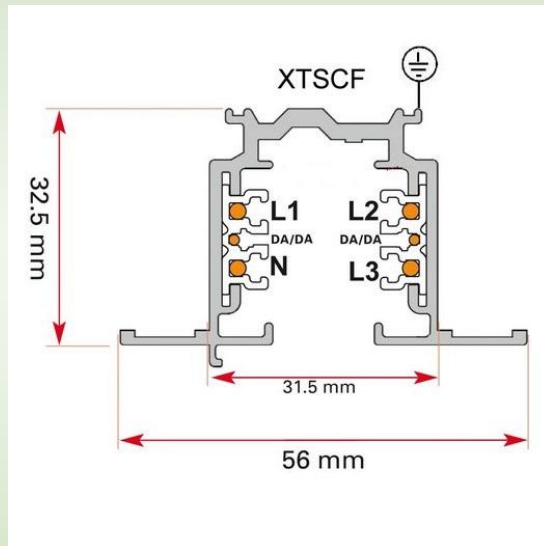
This rail can be attached to the ceiling or hung on chains



Recessed rail



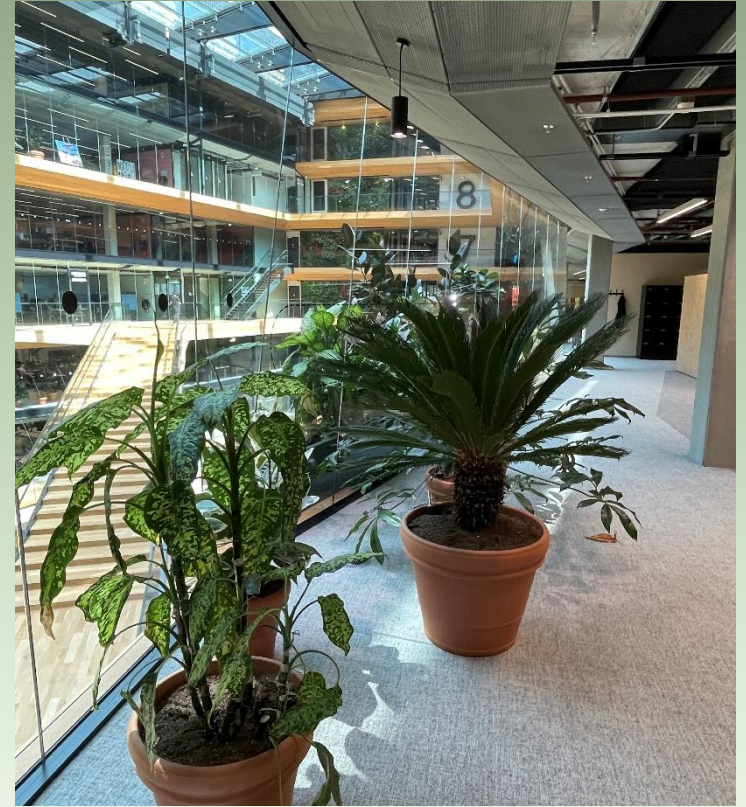
This rail can be built into the ceiling



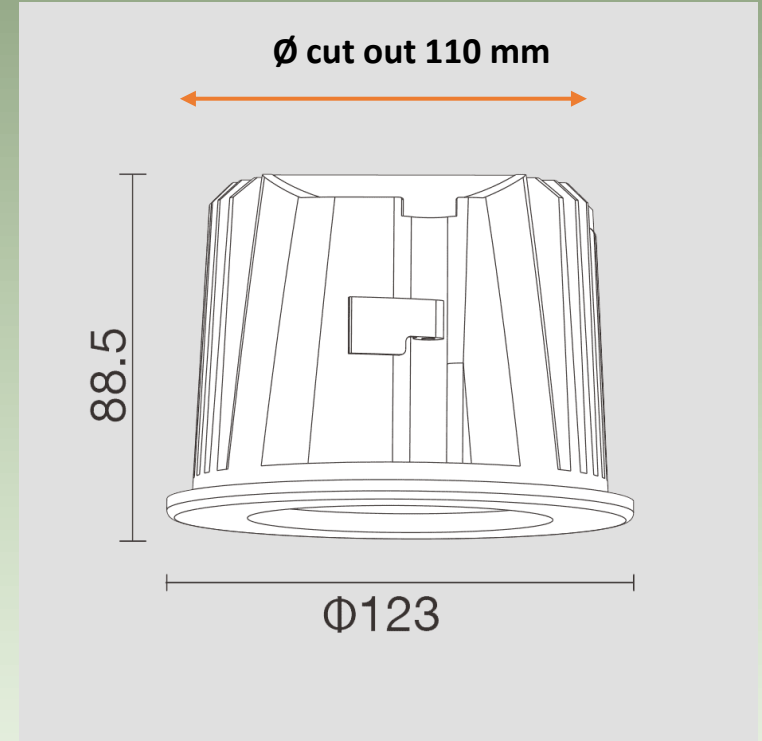
Ceiling mount



Pendant



Recessed down spot



Specifications

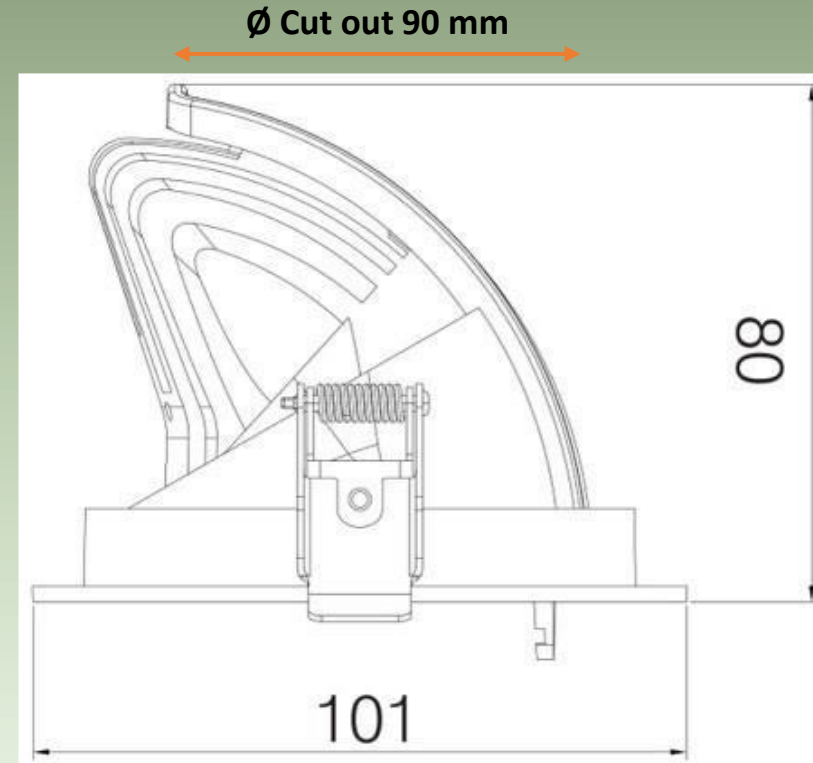
Consumption	20w (10 tot 30 watt)
Size	88,5 x 123 mm
Color	White or black (on request)
Fixing type	Ceiling mount

PPF	66 µmol
Lens Angle	18-60°
DALI Compatible	Optional
Water resitant	IP67

Recessed down spot



Recessed spot banana small



Specifications

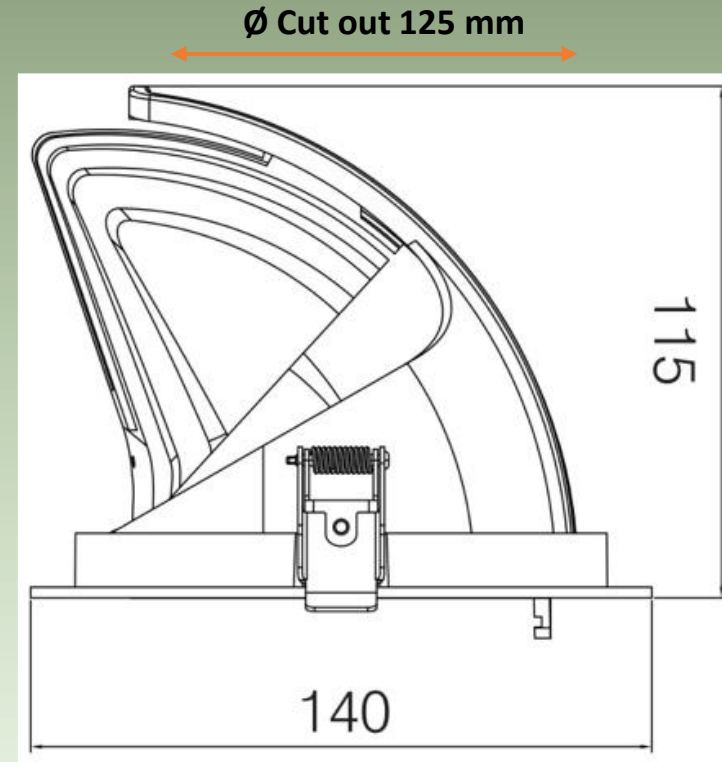
Consumption	10w (7 to 10 watt)
Size	80 x 101 mm
Color	White or black
Fixing type	Ceiling mount

PPF	30 μ mol
Lens Angle	46°
DALI Compatible	Optional
Water resitant	No

Recessed spot banana small



Recessed spot banana large

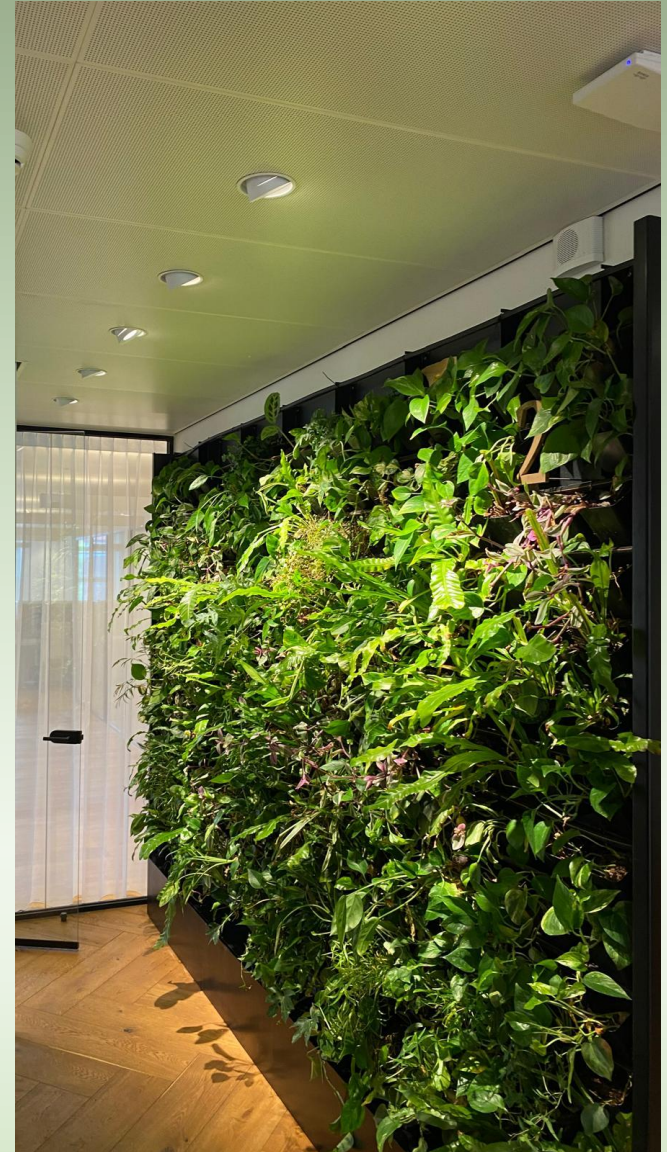


Specifications

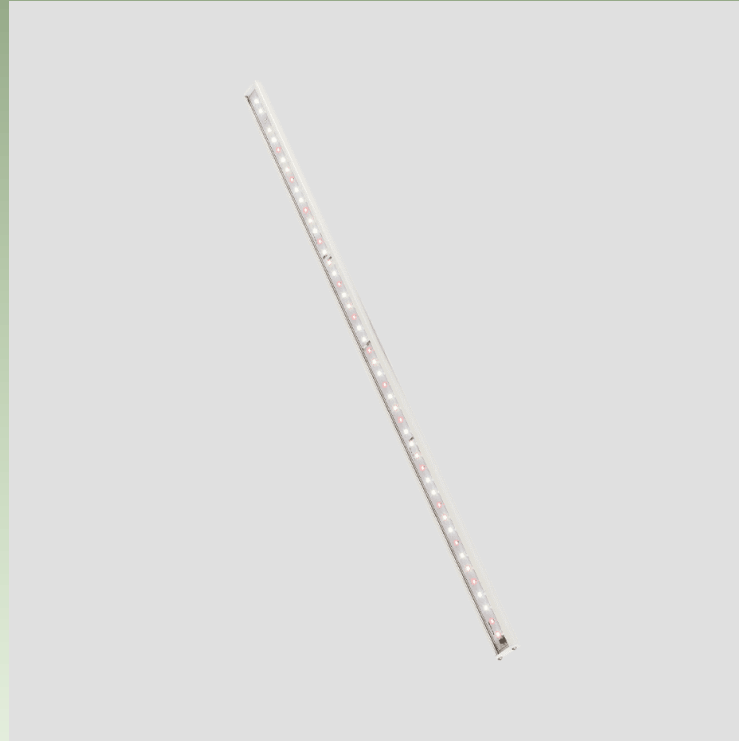
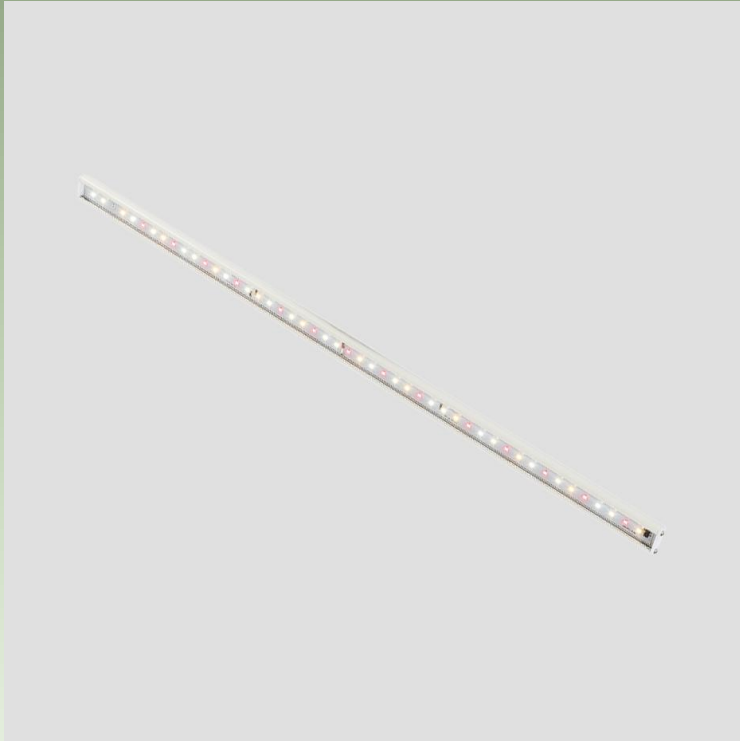
Consumption	20w (10 to 30 watt)
Size	140 x 120 mm
Color	White or black
Fixing type	Ceiling mount

PPF	96 μmol
Lens Angle	58°
DALI Compatible	Optional
Water resitant	No

Recessed spot banana large



Medium linear



Specifications

Consumption

10 - 20w

Size

20, 40, 60 and 120 cm

Color

20/40 cm black, 60/120 cm white

Fixing type

Different options

PPF

25 - 50 μmol

Lens Angle

140°

DALI compatible

Optional

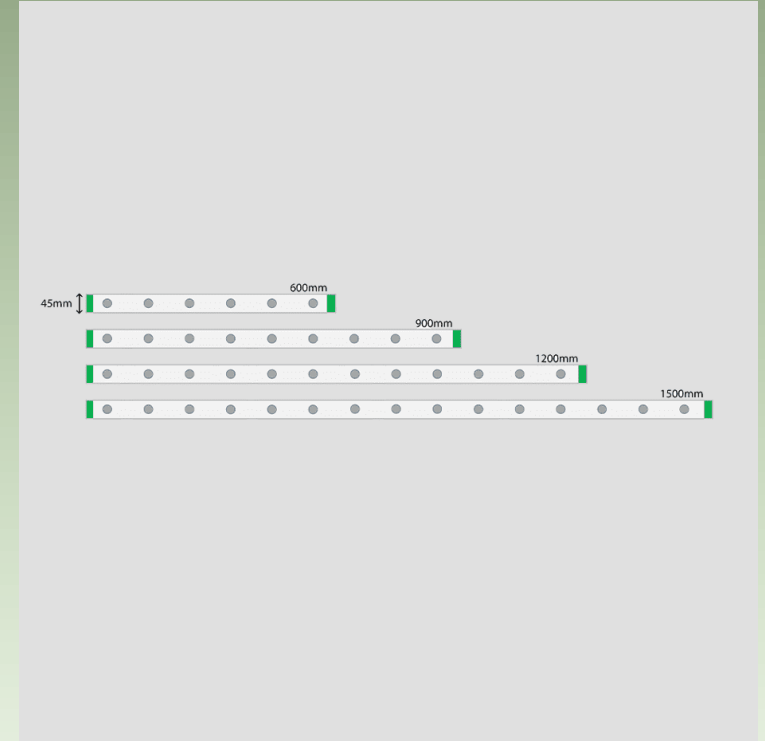
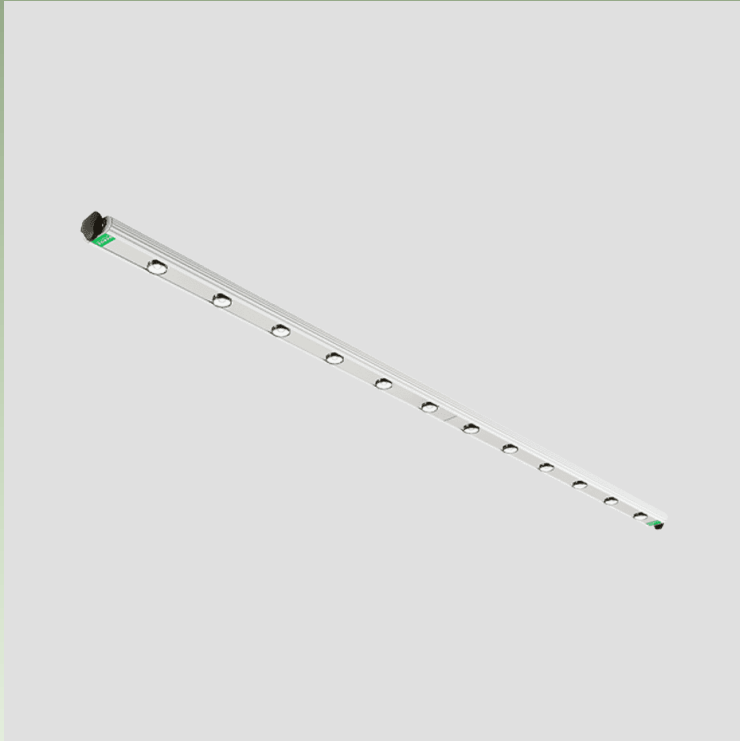
Water resitant

IP65 (Possible IP67)

Medium linear



Living wall linear specs



Specifications

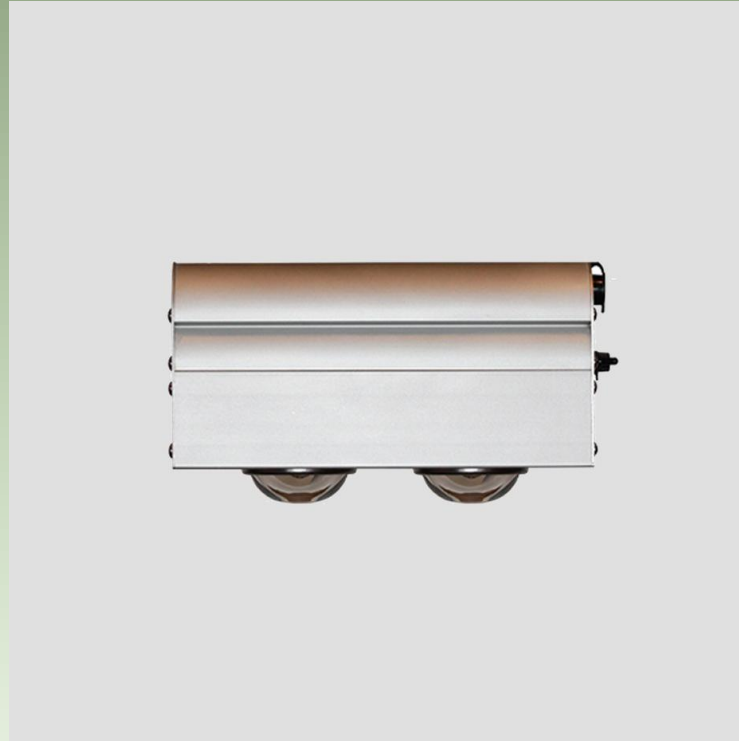
Consumption	20/30/40/50w
Size	60/90/120/150 cm
Color	Black, white or aluminum
Fixing type	Different options

PPF	60/90/120/150 μmol
Lens Angle	30-120°
DALI Compatible	optional
Water resitant	IP65 (Possible IP67)

Living wall linear



Far distance

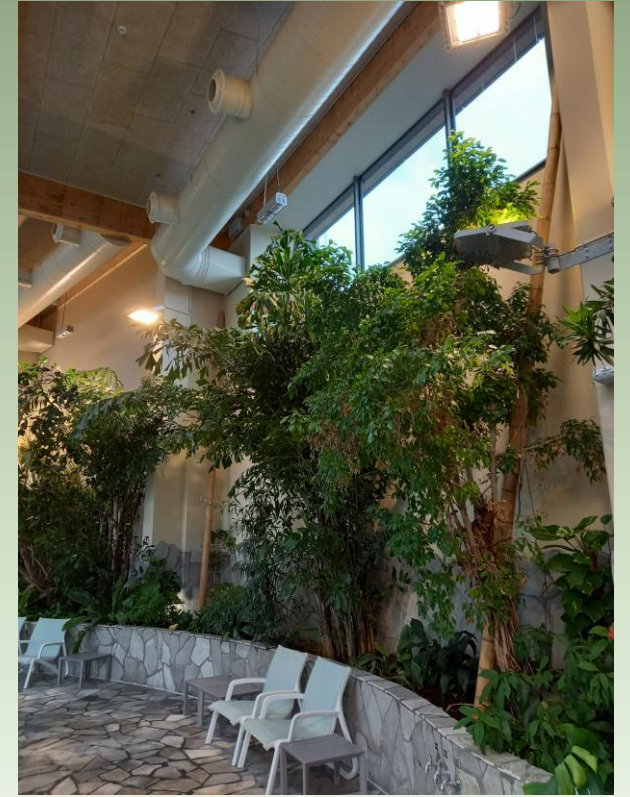
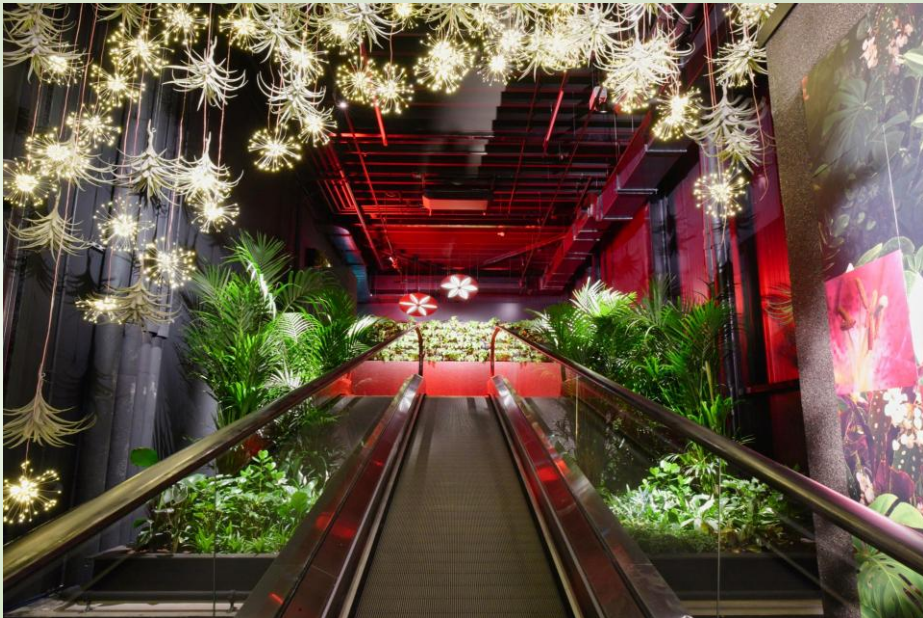


Specifications

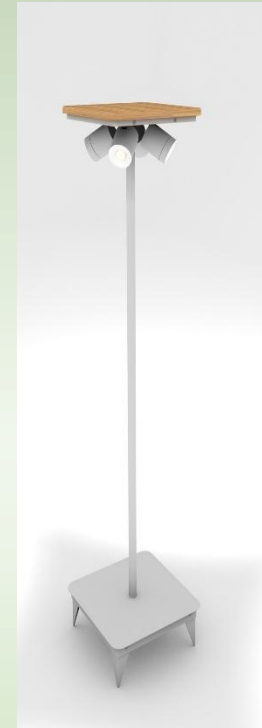
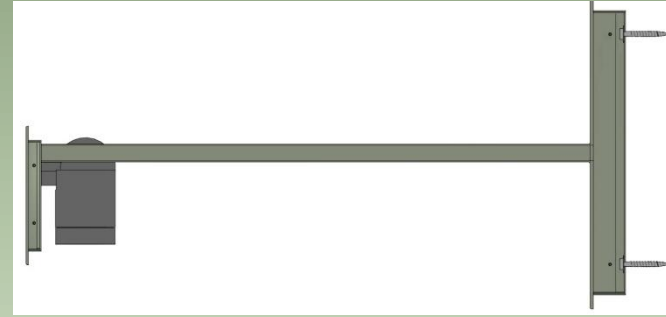
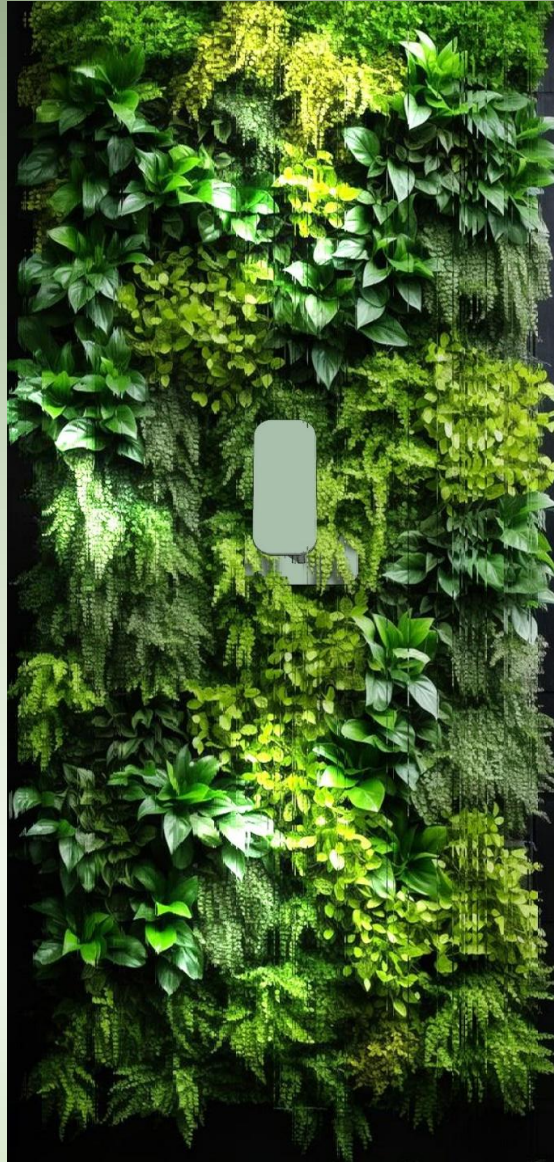
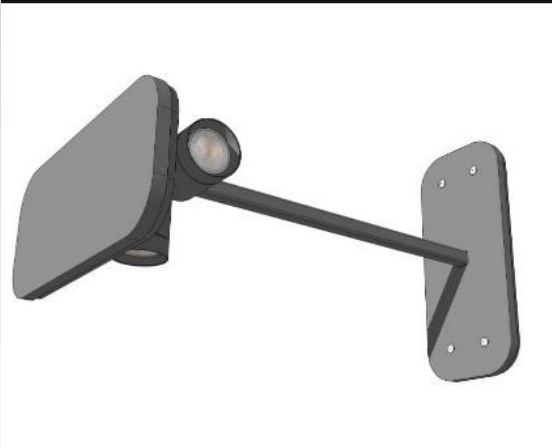
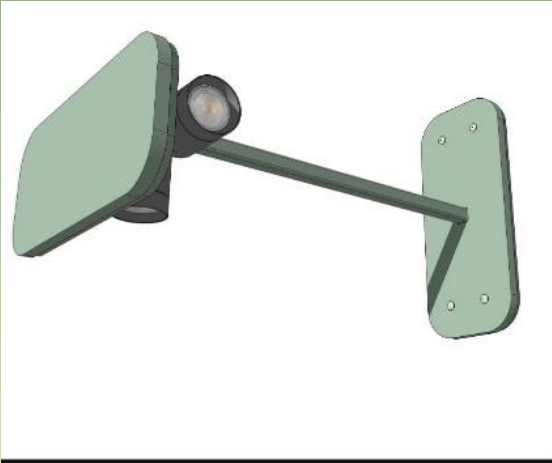
Consumption 150/250/350/700w
Size 17 x 160 x 260/302/555
Color Aluminum
Fixing type Ring

PPF 585/925/1254/2584 μmol
Lens Angle 90 - 120°
DALI Compatible No
Water resitant Yes

Far distance



Custom made poles



Custom made poles

